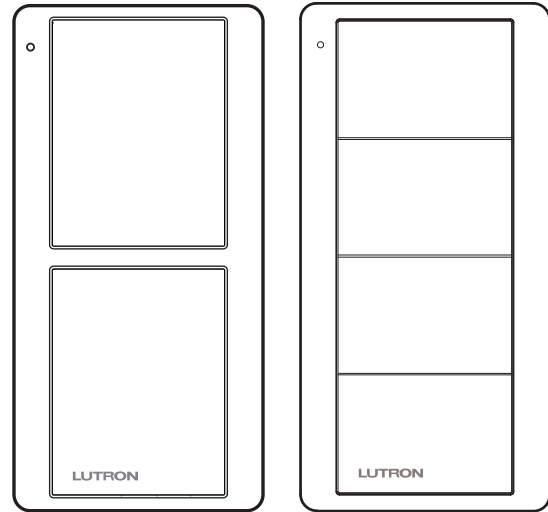


## Pico Scene Keypads

The Pico wireless scene keypad is a flexible and easy to use device that allows the user to adjust multiple lights and shades to different levels at the touch of a button. This battery-operated keypad requires no external power or communication wiring.

### Features

- Provides easy access to scene control in the following Lutron systems:
  - RA2 Select
  - GRAFIK RA 2
  - HomeWorks QS
- Keypads available in a variety of button marking options.
- Keypads available in a textured finish only.
- Easy mounting reconfiguration for use as:
  - Wall-mount keypad (with or without faceplate; faceplate sold separately)
  - Table-top keypad (table-top pedestal sold separately)
- Utilizes Lutron reliable Clear Connect RF technology.
- Battery-powered. Requires no wiring.
- 10 year battery life<sup>1</sup> (one CR2032 battery included).
- Provides control of lighting devices, shades, or drapes within a range of 9 m (30 ft) through walls and 18 m (60 ft) line-of-sight.
- Each button is individually programmable using the system's app or programming software.



Pico Scene Keypads

<sup>1</sup> Based on a 1 year shelf life, an average of 10 button presses per day, and an ambient temperature of 30 °C (86 °F). Actual life may vary based on usage and environmental conditions.

<b>Job Name:</b>	<b>Model Numbers:</b>
<b>Job Number:</b>	

## Specifications

### Regulatory Approvals (as required per geographic region)

- Lutron Quality Systems registered to ISO 9001
- CE listed
- imDA certified
- TRA certified
- RoHS compliant

### Power

- Operating Voltage 3 V<sub>DC</sub>
- (1) CR2032 battery (included)

### System Communication and Capacity

- Communicates using Radio Frequency (RF) at 868 MHz and 868 MHz limited channel.
- Thousands of system addresses prevent interference between systems.
- Can be assigned to control lighting devices, shades, or drapes within a range of 9 m (30 ft) through walls and 18 m (60 ft) line-of-sight.

### Mounting Options and Considerations

- All RF devices should be mounted on non-metallic surfaces to ensure proper performance.
- If you wish to mount your Pico wireless control to a metallic surface, the PICO-MOUNT-1-XX-CPN6774 will be required in order to maintain proper RF performance. For availability, please contact your local Lutron sales office.
- The Pico scene keypads can be converted to table top controls using the optional pedestal. Pedestals are available in single, double and triple configurations. See page 5 for details.
- Wall mounting adhesive included. See **Mounting Options** section for other options.

### Environment

- Ambient operating temperature: 0 °C to 60 °C (32 °F to 140 °F)
- Maximum 90% non-condensing relative humidity
- Indoor use only

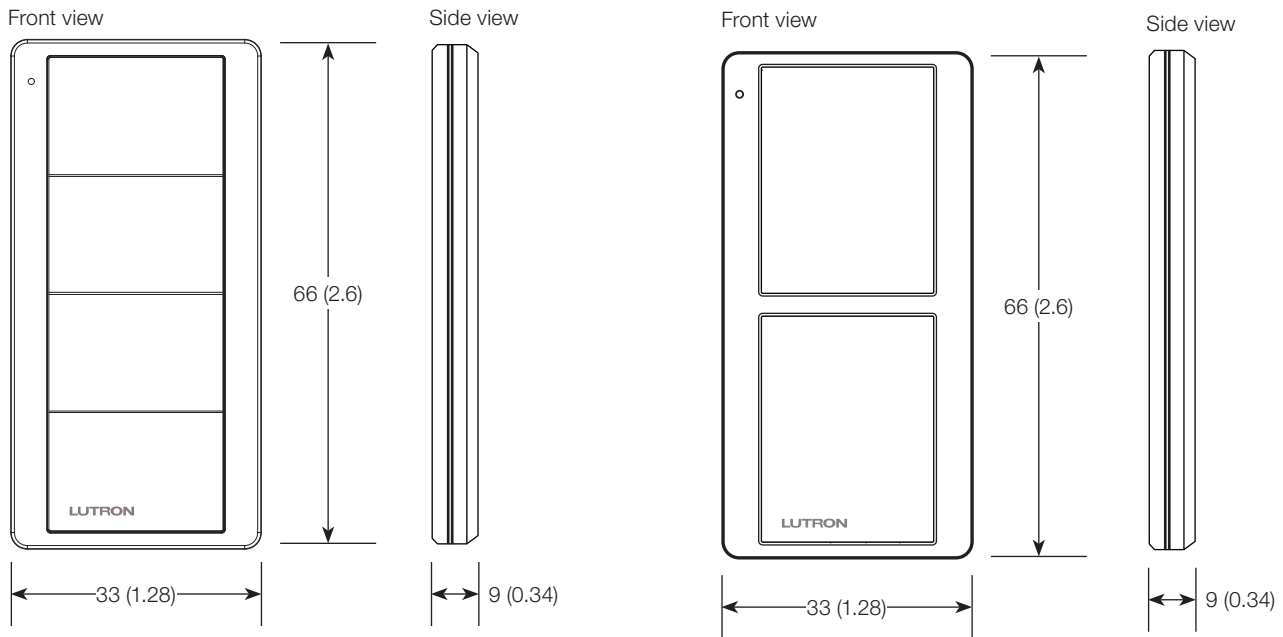
### Warranty

- 1 Year Limited Warranty. For additional Warranty information, please visit [www.lutron.com/TechnicalDocumentLibrary/Intl\\_Warranty.pdf](http://www.lutron.com/TechnicalDocumentLibrary/Intl_Warranty.pdf)

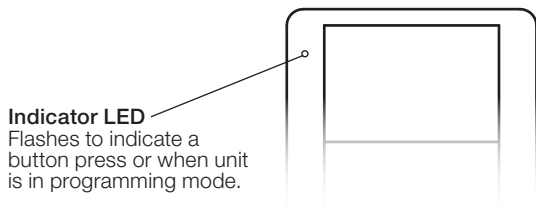
<p>Job Name:</p>  <p>Job Number:</p>	<p>Model Numbers:</p>
--	-----------------------

### Dimensions

Measurements shown as: mm (in)

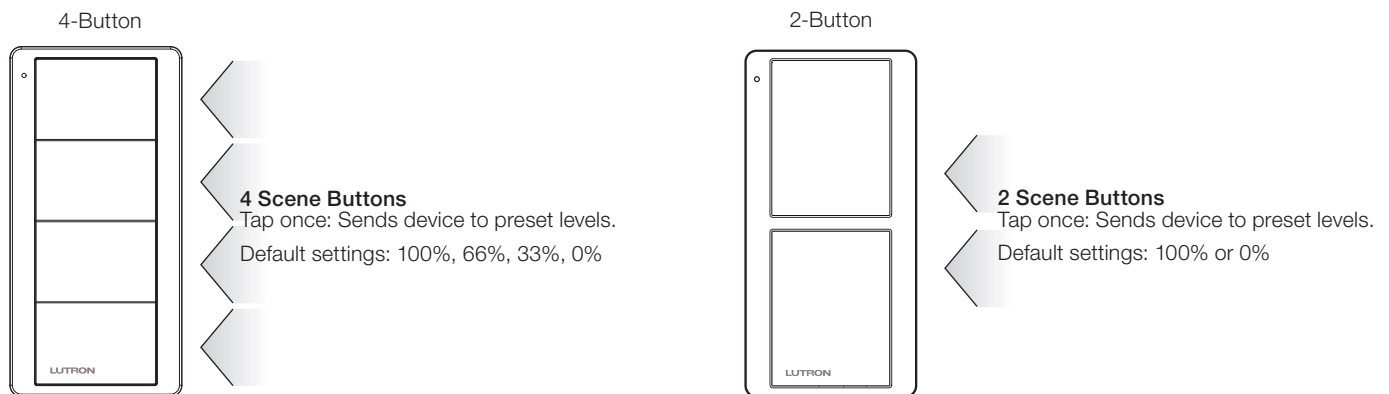


### Operation



**Indicator LED**  
 Flashes to indicate a button press or when unit is in programming mode.

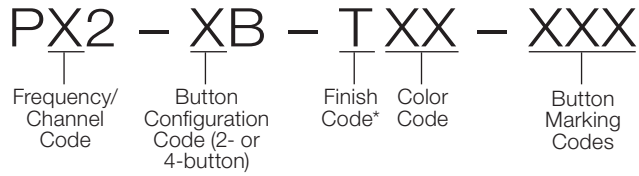
### Scene Controls



<p>Job Name:</p>  <p>Job Number:</p>	<p>Model Numbers:</p>
--	-----------------------

## Model Number

### Standard Icon Models



\* Finish code "T" represents a textured finish

### Frequency/Channel Code

K: 868 MHz

M: 868 MHz Limited Channel

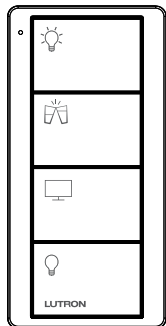
### Color Codes: Satin Colors

Color	Color Code
Arctic White	AW
Black	BL

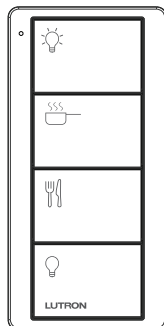
### Button Marking Codes

#### Scene Controls

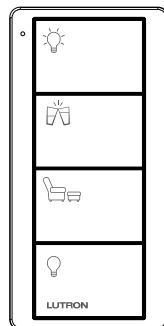
#### 4-Button



Living Room - P01

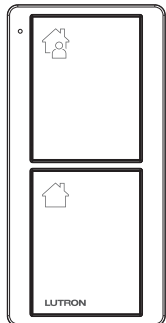


Kitchen - P02

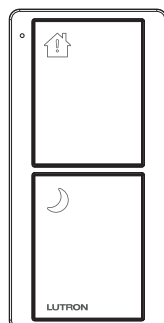


Any Room - P03

#### 2-Button



Entry - P01



Bedside - P02

Job Name:	Model Numbers:
Job Number:	

## Pico Pedestal Model Number

Pedestals sold separately.



### Capacity Codes

Capacity	Code
Single	1
Double	2
Triple	3

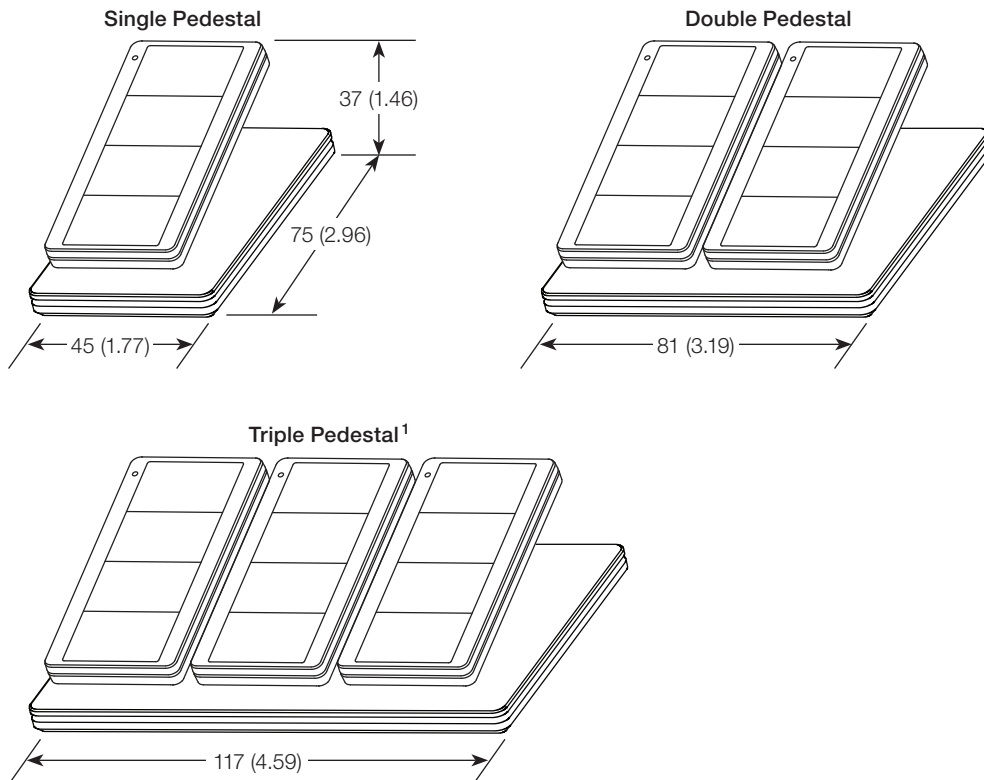
### Color Codes

Available in gloss finish only.

Color	Code
White	WH
Black	BL

## Dimensions

Measurements shown as: mm (in)



<sup>1</sup> For Triple Pedestals contact your local Lutron sales office or visit us at [www.lutron.com](http://www.lutron.com)

<p><b>Job Name:</b></p> <p><b>Job Number:</b></p>	<p><b>Model Numbers:</b></p>
--	------------------------------

## Mounting Options

### Standalone Mounting: Adhesive-Mount

Included with Pico wireless keypad



### Standalone Mounting: Screw-Mount

Model: PICO-SM-KIT  
(sold separately)

Kit includes special screws to be used for more permanent mounting and/or for non-smooth surfaces.

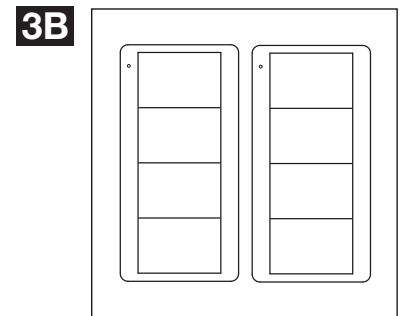
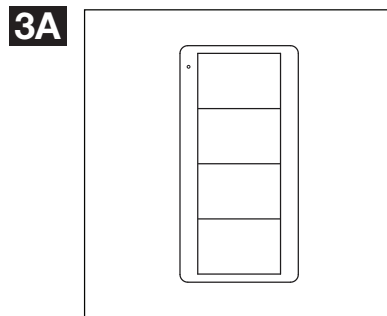
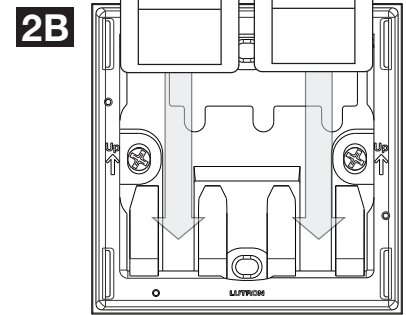
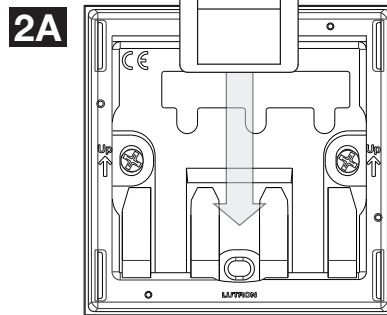
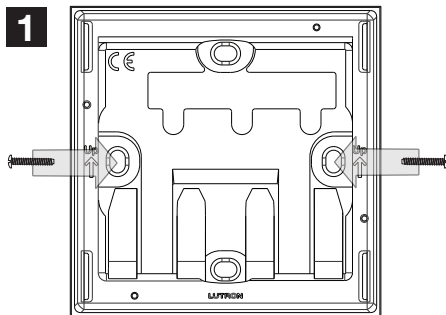


### Wallbox Mounting or Surface Mounting: Square Faceplate Kits (Europe/Asia/India)<sup>1,2</sup>

Faceplate adapter/faceplate included.

Model: LPFP-S1-XXX (Plastic/Metal);  
LFGP-S1-CWH (Glass)  
(sold separately)

Model: LPFP-S2-XXX (Plastic/Metal);  
LFGP-S2-CWH (Glass)  
(sold separately)



<sup>1</sup> For square or round wallboxes.

<sup>2</sup> For more information please see Lutron P/N 369884.

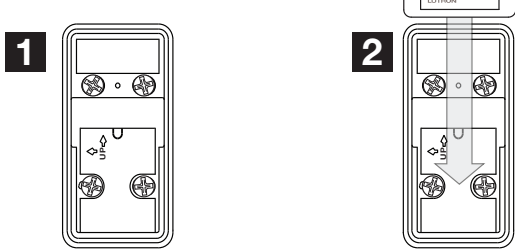
<p>Job Name:</p>  <p>Job Number:</p>	<p>Model Numbers:</p>
--	-----------------------

### Mounting Options (continued)

#### Metal Surface Mounting

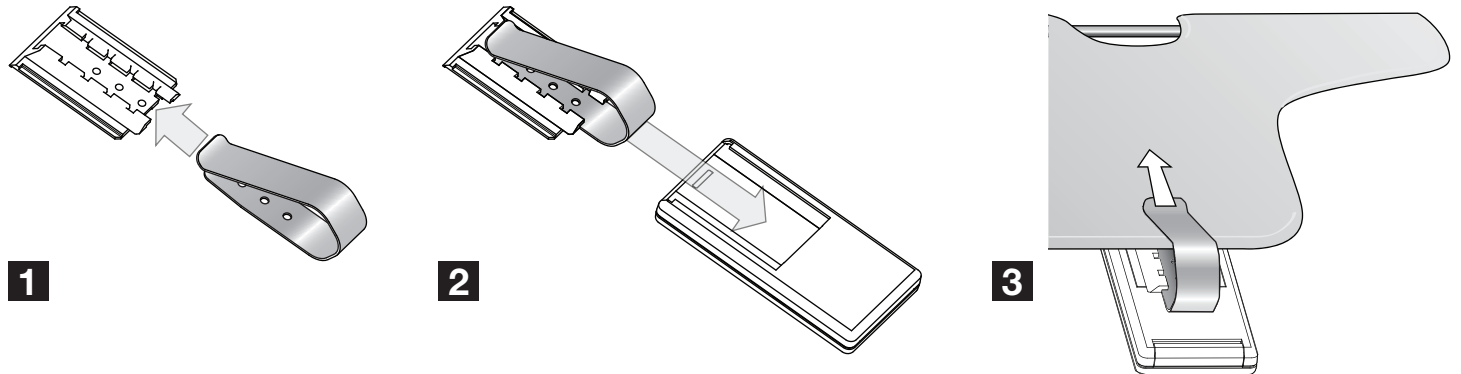
Model:  
PICO-MOUNT-1-XX-CPN6774  
(sold separately)

Contact your local Lutron sales office.



#### Mounting to a Car Visor

Model: PICO-CARVISOR-CL (sold separately)



Lutron, Lutron, Pico, Clear Connect, HomeWorks, and Satin Colors are trademarks of Lutron Electronics Co., Inc. registered in the U.S. and other countries.

RA2 Select is a trademark of Lutron Electronics Co., Inc.

**LUTRON** SPECIFICATION SUBMITTAL

Page

Job Name:	Model Numbers:
Job Number:	